



mellerware®
makes life easier

SMARTVAC
handheld
vacuum



Wet and dry vacuum

Easy to empty

Washable filter



Complies with
INTERNATIONAL
IEC60335
SAFETY SPECIFICATIONS

m
25W

**2 YEAR
WARRANTY**

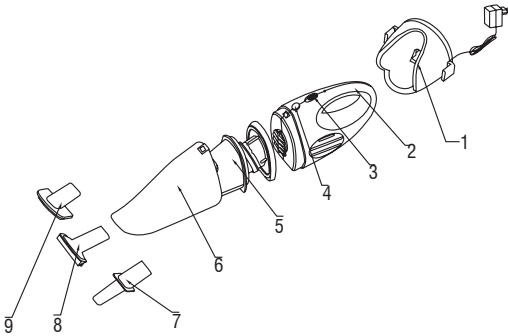
Model:
31350





Dear customer,

Thank you for choosing to purchase a Mellerware brand product. Thanks to its technology, design and operation and the fact that it exceeds the strictest quality standards, a fully satisfactory use and long product life can be assured.



1. Parts description

1. Charging Base
2. Handle
3. ON/OFF Switch
4. Dust container release button
5. Filter assembly
6. Dust container
7. Crevice tool
8. Water suction tool
9. Soft brush

2. Safety advice and warnings!

Read these instructions carefully before switching on the appliance and keep them for future reference. Failure to follow and observe these instructions could lead to an accident. Clean all the parts of the product as indicated in the cleaning section, before use.

2.1. Use or working environment:

- 2.1.1. This appliance is designed solely for domestic use and for the designated purpose.
- 2.1.2. Do not use the appliance outdoors (unless it has been specifically designed for outdoor use)
- 2.1.3. Use the appliance in a well ventilated area.
- 2.1.4. Do not subject the appliance to heat, direct sunshine or moisture (e.g. Rain)

- 2.1.5. Never immerse the appliance in liquids and be aware of sharp edges that may damage it.
- 2.1.6. Although this product is designed to suck up water, never use it with wet or damp hands.
- 2.1.7. The appliance is designed to vacuum up materials that are not hazardous to your health and that are not flammable.
- 2.1.8. Never hold the connectors in front of your face (especially your eyes, ears, etc) Never direct the nozzle towards persons or animals.
- 2.1.9. Keep children and bystanders away when using this appliance.
- 2.1.10. Do not vacuum up ash, hot coals, large fragments of glass and sharp objects.
- 2.1.11. Do not vacuum up any toner dust, which is used in printers and copies for example, because it is electrically conductive. In addition, it is possible that it will not be completely filtered out by the filter system of the vacuum cleaner and can be released in the air via the exhaust fan.
- 2.1.12. Do not place flammable material near the appliance.
- 2.1.13. Do not use the appliance in association with a programmer, timer or other device that automatically switches it on.
- 2.1.14. Do not use the appliance if the charger cable or plug is damaged.
- 2.1.15. Ensure that the voltage indicated on the rating label matches the mains power supply voltage before plugging in the appliance.
- 2.1.16. The appliance's plug must fit into the mains power supply socket properly. Do not alter the plug.
- 2.1.17. If using a multi plug check ratings carefully as the current used by several appliances could easily exceed the rating of the multi plug.
- 2.1.18. If any of the appliance casings breaks, immediately disconnect the appliance from the mains power supply to prevent the possibility of an electric shock. (if applicable)
- 2.1.19. Do not use the appliance if it has fallen on the floor or if there are visible signs of damage.
- 2.1.20. Do not wrap the charger power cord around the appliance; use the power cord storage instead. (if applicable)
- 2.1.21. Do not clip or crease the charger power cord.
- 2.1.22. Do not allow the charger power cord to hang or to come into contact with the hot surfaces.
- 2.1.23. Check the state of the charger power cord. Damaged or tangled cables increase the risk of electric shock.
- 2.1.24. The appliance is not suitable for outdoor use.
- 2.1.25. Charger power cord should be regularly exam-





ined for signs of damage, and if the cord is damaged, the appliance must not be used.

2.1.26. Do not touch the plug with wet hands.

2.2. Personal safety:

2.2.1. CAUTION: Do not leave the appliance unattended during use as there is a risk of an accident.

2.2.2. This appliance is only for domestic use, not for industrial or professional use. It is not intended to be used by guests in hospitality environments such as bed and breakfast, hotels, motels, and other types of residential environments, even in farm houses, areas of the kitchen staff in shops, offices and other work environments.

2.2.3. This appliance is not intended for use by persons (including children) with reduced physical, sensory or mental capabilities, or lack of experience and knowledge, unless they have been given supervision or instruction concerning use of the appliance by a person responsible for their safety.

2.2.4. This appliance is not a toy. Children should be supervised to ensure that they do not play with the appliance.

2.3. Use and care:

2.3.1. Fully unroll the appliance's charger power cable before each use.

2.3.2. Do not use the appliance if the parts or accessories are not properly fitted.

2.3.3. Do not use the appliance when the dust cup is full.

2.3.4. Do not block the inlet or outlet ports.

2.3.5. Unplug the appliance from the mains power supply when not in use and before undertaking any cleaning task.

2.3.6. This appliance should be stored out of reach of children.

2.3.7. Do not store the appliance if it is hot. Allow the appliance to cool before storage.

2.3.8. Never leave the appliance unattended when in use and keep out of the reach of children.

2.3.9. Do not vacuum any sharp-edged, hot or incandescent material

2.3.10. This vacuum includes rechargeable NI-MH cells. Do not incinerate or expose to high temperatures, as they may explode.

2.3.11. Unplug the appliance from the mains supply socket after use and before every cleaning. Pull the plug, not the mains cable, in order to disconnect the appliance from the mains.

2.3.12. Ensure that blockages are removed.

2.3.13. Do not use the vacuum cleaner without dust bin or dust filter in place.

2.3.14. Do not vacuum any flour, cement etc, in order to avoid the overloads.

2.3.15. If, for some reason, the appliance were to catch fire, disconnect the appliance from the mains power supply and DO NOT USE WATER TO PUT THE FIRE OUT.

2.4. Service:

2.4.1. Make sure that the appliance is serviced only by suitably qualified technician, and that only original spare parts or accessories are used to replace existing parts/accessories.

2.4.2. If the charger power cord is damaged, the manufacturer or its service agent or a similarly qualified person must replace it in order to avoid a hazard.

2.4.3. Any misuse or failure to follow the instructions for use renders the guarantee and the manufacturer's liability null and void.

3. Instructions for use

3.1. Before use:

3.1.1. Remove the appliance's protective film (if applicable).

3.1.2. Before you start the appliance, make sure that the dust filters and dust bin is in place before vacuuming.

3.1.3. Before you start the appliance, make sure that the required accessory is in the position.

3.1.4. Ensure that the vacuum is fully charged before use.

3.1.5. If the vacuum has no power, allow to charge fully before use. (+/- 8 hours)

3.2. Use and care:

3.2.1. Vacuuming materials:

3.2.1.1. Ensure the Cloth filter is clean and dry and properly installed inside of the dust bin assembly.

3.2.1.2. Ensure that the dust bin assembly is clicked into place.

3.2.1.3. Ensure that there are no blockages.

3.2.1.4. Ensure that the desired accessory is securely connected.

3.2.1.5. Switch on the vacuum and start vacuuming.

3.2.1.6. When you have finished vacuuming, switch





the vacuum off, empty the dust container and clean the filter.

3.3. Blockages:

3.3.1. In case of any blockages check the following in this order:

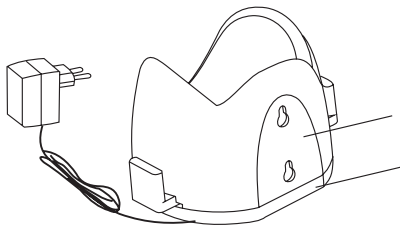
- 3.3.1.1. Check the vacuum inlet.
- 3.3.1.2. Remove the dust bin and check the dust bin inlet.
- 3.3.1.3. Ensure that the filter is clean.
- 3.3.1.4. Check the accessories for any obstructions.
- 3.3.1.5. If there is still a blockage after following these steps please contact the manufacturer or its service agent or a similarly qualified person.

3.4. Operating instructions:

3.4.1. Wall mounting the docking station:

NB – This is entirely optional!!

- 3.4.1.1. The charging cradle is equipped with wall mount feature which is optional.
- 3.4.1.2. Drill 2 X 6mm holes into the wall with the space of 37mm above each other. (Use measuring tape to ensure the measurements are accurate as they may differ.)
- 3.4.1.3. Insert 2 X 6mm wall plugs and 2 X 6mm screws (ensure that the head of the screw is able to fit the holes of the cradle. (Screws and plugs not supplied)
- 3.4.1.4. Ensure that the head off the screw is exposed enough for the cradle to hang. Push the cradle onto the screws and pull down until it hooks securely.



3.4.2. Charging:

NB: Only use the supplied charger to charge this unit!

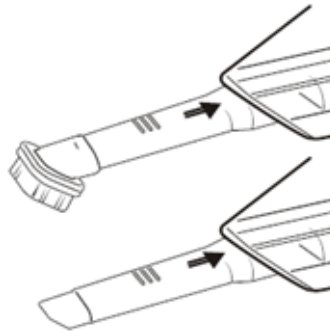
- 3.4.2.1. Insert the adaptor into the correct wall socket.
- 3.4.2.2. Ensure the vacuum is switched off. Place

the vacuum onto the docking station and push down until the charging connector clicks into the back of the vacuum.

- 3.4.2.3. Once connected, the red light on the vacuum will illuminate.
- 3.4.2.4. Charge for at least 8 hours.
- 3.4.2.5. For efficient cleaning, please keep the usage time to +/- 12 minutes.

3.4.3. Vacuuming dry material:

- 3.4.3.1. Lift and remove the vacuum from the docking station.
- 3.4.3.2. Attach the soft brush or crevice tool to the suction nozzle to reach confined spaces.
- 3.4.3.3. Switch the vacuum ON using the ON/OFF switch.
- 3.4.3.4. Replace the vacuum on the docking station after use. The LED indicator will illuminate to indicate the vacuum is being charged.

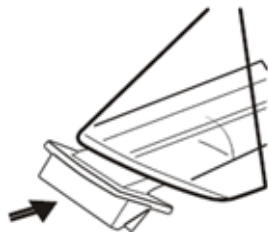


NOTE: Empty the dust container before returning to the docking station to ensure the vacuum does not get blocked.

3.4.4. Vacuuming liquids:

- 3.4.4.1. Lift and remove the vacuum from the docking station.
- 3.4.4.2. Attach the water suction tool to the suction nozzle.
- 3.4.4.3. Switch the vacuum on using the ON/OFF switch.
- 3.4.4.4. You can now suck up non-flammable liquids using the water suction tool.





3.4.4.5. When vacuuming up liquids, ensure the vacuum is positioned between a 40 and 90 degree angle.

NEVER ALLOW LIQUIDS TO COME INTO CONTACT WITH THE MOTOR!!

3.4.4.6. When finished, empty the dust container of all liquid and dry before storage. Storing it with residual liquid or damp can result in poor suction and can increase the chance of electrical shock when docking the vacuum on the docking station.

NOTE: DO NOT allow the liquid in the dust container to exceed the MAX marked on the side.

4. Cleaning and maintenance:

4.1. Removing the dust container:

4.1.1. Press the dust container release button on the top of the handle and slide the dust container away from the motor section.

4.1.2. To re-fit the dust container, slide the container back onto the motor section until it clips in place.

4.2. Cleaning the dust container and filter:

4.2.1. Remove the dust container.

4.2.2. Remove the filter by sliding the filter holder out of the dust container.

4.2.3. Clean the dust filter and the inside of the dust container.

4.2.4. Re-fit the filter inside the dust container (ensure the filter is pushed fully up to the plastic stops inside the container) and re-fit the dust container to the vacuum.

The filter is washable but after time it will need to be replaced. Replacement filters are available to purchase. Please see details in the rear of this manual.

5. Care and maintenance:

5.1. **IMPORTANT:** Always unplug the appliance from the power socket during cleaning and maintenance. Never use sharp instruments or abrasive substances, soap, household cleaner, detergent or wax polish for cleaning. Clean the external surfaces with a damp soft cloth only.

6. Anomalies and repair

6.1. Take the appliance to an authorised support centre if product is damaged or other problems arise.

6.2. If the connection to the mains has been damaged, it must be replaced and you should proceed as you would in the case of damage

7. Technical data:

AC: 220-240V ~ 25W 50/60Hz

DC: 4.8V

8. Troubleshooting

Problem	Reason(s)	Solution(s)
No Power	-Battery drained	-Charge the battery fully
Low or no suction power	-Battery is drained -Dust container is full -Filter is clogged	-Charge the battery fully -Empty the container -Clean the filter
Dust leaking from the unit	-Dust container is full -Dust container is not fitted to the motor section correctly	-Empty the container -Re-fit the dust container

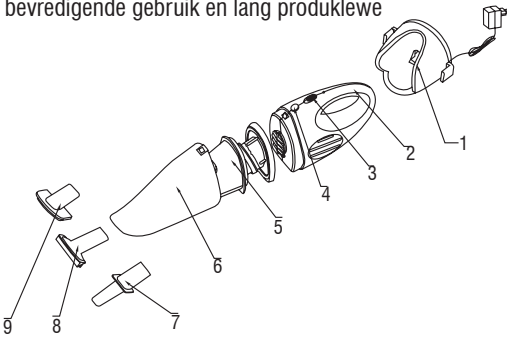


AFRIKAANS HANDLEIDING

Geagte kliënt,

Baie dankie vir u keuse om 'n Taurus handelsmerk produk te koop.

Danksy die tegnologie, ontwerp en werking en die feit dat dit voldoen aan die strengste gehalte standaarde, is u verseker van 'n volle bevredigende gebruik en lang produklewe



1. Parte beskrywing:

1. Laai basis
2. handvat
3. AAN / AF skakelaar
4. Stof houer vrystelling knoppie
5. Filter
6. Stofhouer
7. Spleetgereedskap
8. Water suiggereedskap
9. Sagte borsel

2. Veiligheidsmaatreëls!

Lees asseblief die werkings handleiding voordat jy die produk begin gebruik en bewaar veilig vir gebruik.

2.1. Gebruik en werksomgewing:

- 2.1.1. Die toestel is ontwerp vir huishoudelike gebruik alleen en die doel waarvoor dit vervaardig is.
- 2.1.2. Die toestel is nie vir buite gebruik nei (tensy dit daarvoor ontwerp is)
- 2.1.3. Gebruik die toestel in 'n goed geventileerde area.
- 2.1.4. Die toestel mag nie met hitte, direkte sonlig of reen in aanraking kom nie
- 2.1.5. Die toestel mag nie in vloeistof gedruk word of naby skerp punte wat toestel kan beskadig
- 2.1.6. Die toestel mag nie met nat hande hanteer word

nie. Ontkoppel van muurprop as die toestel nat word terwyl dit aan is

2.1.7. Die toestel is ontwerp om materiaal op te suig wat nie jou gesondheid kan beïnvloed en wat nie vlambaar is nie.

2.1.8. Moenie die knnekteerders voor jou gesig hou nie (veral jou oe en ore ens.) Hou die punt weg mense en diere

2.1.9. Hou kinders en omstanders weg tydens gebruik.

2.1.10. Moenie warm kole, groot stukke en glas opsuig nie.

2.1.11. Moenie stof van drukkers opsuig nie want dit is elekties geleidend en dit sal nie deur die filter system gaan nie sal die lug besoedel

2.1.12. Moenie vlambare materiaal naby toestel plaas nie.

2.1.13. Daar mag nie n automatiese tydbeheer aan die toestel gekoppel word nie

2.1.14. Moenie gebruik as die krag koord of muurprop beskadig is nie.

2.1.15. Maak seker die spanning soos aangedui op die gradering etiket kom ooreen met die hoofspanning voor die prop in die muursok gekoppel word

2.1.16. Die toestel se muurprop moet in die hoofprop pas. Moenie die prop vervang nie

2.1.17. As n multi prop gebruik word maak seker die stroom word nie oorskry nie

2.1.18. As enige van die toestel se buitekante breek skakel onmiddelik af om skok te voorkom..

2.1.19. Moenie gebruik as dit geval het en daar duidelike skade is nie.

2.1.20. Moenie die krag koord forseer of te gebruik om te toestel op te tel.

2.1.22. Moenie die koord om die toestel draai nie maar gebruik die koord stoor.

2.1.23. Moenie die koord buig nie.

2.1.24. Moenie die koord laat hang of met warm oppervlaktes in aanraking kom nie

2.1.25. Gaan altyd die koord na vir enige skade

2.1.26. Die toestel mag nie buite gebruik word nie.

2.1.27. Die koord moet gereeld ondersoek word vir skafe en mag nie gebruik word indien daar is

2.1.28. Moenie aan die prop raak met nat hande.

2.2. Persoonlike veiligheid:

2.2.1. Moenie die toestel sonder toesig laat tydens gebruik.

2.2.2. Die toestel is nie geskik vir industriële gebruik soos kantore, hotelle motelle en gastehuisse

2.2.3. Die toestel is nie geskik vir gebruik deur verminderd fisiese verstandelike vermoens of gebrek aan





ervaring of kennis tensy hulle opleiding gehad het.
2.2.4. Die toestel is nie `n speelding and kinders moet altyd toesig he om te verhoed dat hulle met die toestel speel

2.3. Gebruik en sorg:

- 2.3.1. Die kabel moet ten volle afgewikkel word voor gebruik
- 2.3.2. Die toestel moet nie gebruik word as die parte of bykomstighede nie behoorlik pas
- 2.3.3 Die toestel moet nooit leeg gebruik word nie.
- 2.3.4 Die Toestel moet nooit gedraai word terwyl dit in werking is of in die muurprop gekoppel is
- 2.3.6. Ontkoppel die toestel van die hooftoevoer as dit nie in gebruik is nie en laat dit heeltemal afkoel voordat dit skoongemaak word. As dele afgehaal word of toegevoeg word, moet die toestel nie in werking wees nie.
- 2.3.7. Die toestel moet buite bereik van kinders gestoor word
- 2.3.8. Die toestel moet heeltemal afkoel voor dit gestoor word
- 2.3.9 Die toestel moet altyd onder toesig wees wanneer in gebruik en moet buite bereik van kinders gehou word.
- 2.3.10 As die toestel aan die brand slaan ontkoppel van die muursok en gooi n kombuis vadoek oor **MOET NOOIT WATER GEBRUIK!!!**
- 2.3.13. Maak seker alle blokasies word verwyder.
- 2.3.14. Die toestel mag nie sonder die stofhouer of filters gebruik word nie
- 2.3.15. Moenie meel of sement opsuig nie en Moenie die stofhouer oorvol laat word nie

2.4. Diens:

- 2.4.1. Die toestel moet deur `n gekwalifiseerde tegnikus gediens word
- 2.4.2 As die koord beskadig word moet dit deur die diensagent of `n gekwalifiseerde person vervang word om brandgevaar te verhoed
- 2.4.3. Enige misbruik en mislukking om instruksies te volg lewer die waarborg nul en van gener waarde

3. Instruksies vir gebruik:

- 3.1. Voor gebruik
- 3.1.1. Verwyder alle verpakkings materiaal
- 3.1.2. Voor gebruik maak seker die filters en stofhouer is in plek.
- 3.1.3. Maak seker die pyp is in posisie. .

- 3.1.4. Maak seker dat die stofsuier volledig gelaai is voor gebruik.
- 3.1.5. Indien die stofsuier nie krag het nie, moet dit volledig gelaai word voor gebruik. (+ / - 8 uur)

3.2. Gebruik en sorg:

- 3.2.1. Stofsuig van materiale:
 - 3.2.1.1. Maak seker dat die doekfilter skoon en droog is en behoorlik geïnstalleer word binne-in die stofhouer.
 - 3.2.1.2. Maak seker dat die stofhouer op sy plek gekliek word.
 - 3.2.1.3. Maak seker dat daar geen blokkasies is nie.
 - 3.2.1.4. Maak seker dat die verlangde bykomstigheid is korrek gekonnekteer.
 - 3.2.1.5. Skakel die stofsuier aan en begin suig.
 - 3.2.1.6. Wanneer jy klaar gestofsuig het, skakel die stofsuier af, maak die stofhouer leeg en maak die filter skoon.

3.3. Blokasies:

3.3.1. Gaan die volgende na vir blokasies:

- 3.3.1.1. Gaan die stofsuier se inlaat na.
- 3.3.1.2. Verwyder die stofhouer en kyk na die stofhouer inlaat
- 3.3.1.3. Maak seker die filter is skoon.
- 3.3.1.4. Kontroleer die toebehore vir enige obstrukties.
- 3.3.1.5. As daar nog steeds 'n blokasie is nadat u hierdie stappe gevolg het, kontak asseblief die vervaardiger of sy diensagent of 'n soortgelyke gekwalifiseerde persoon.

3.4. Instruksies vir gebruik:

3.4.1. Muur monteer die houstasie:

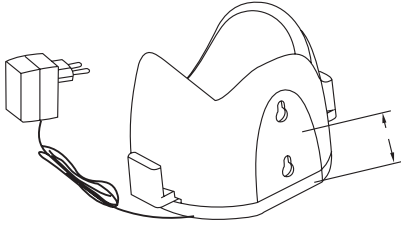
NB - Dit is heeltemal opsioneel !!

- 3.4.1.1. Die laai wieg is toegerus met 'n muur berg funksie wat opsioneel is.
- 3.4.1.2. Boor 2 x 6 mm gate in die muur met die Ruimte van 37 mm bokant mekaar. (Gebruik maatband om te verseker dat die metings akkuraat is, aangesien dit verskil.)
- 3.4.1.3 Druk 2 x 6 mm muurproppe en 2 X 6 mm-skroewe in (verseker dat die kop van die skroef in die wieg pas. (Skroewe en proppe nie voorsien nie)
- 3.4.1.4. Maak seker dat die kop van die skroef genoeg is om die wieg te hang. Druk die wieg op die skroewe





en trek dit af totdat dit vasgehak word.



3.4.2. Laai van stofsuijer

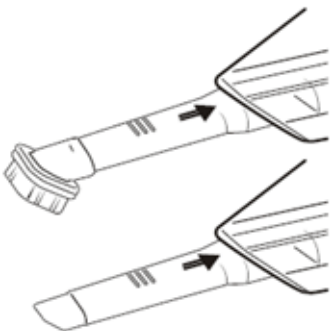
- 3.4.2.1. Plaas die adapter in die regte muur prop
- 3.4.2.2. Maak seker die stofsuijer is afgeskakel. Plaas die stofsuijer op die stasie en druk af totdat die laai-aansluiting in die agterkant van die stofsuijer klik.
- 3.4.2.3. Sodra dit verbind is, sal die rooi lig op die stofsuijer verlig.
- 3.4.2.4. Laai vir 8 ure
- 3.4.2.5. Vir doeltreffende skoonmaak, hou asseblief die gebruikstyd tot +/- 12 minute.

NB: Gebruik slegs die meegaande llaaierom hierdie eenheid te laai!

3.4.3. Stofsuig van droe materiaal:

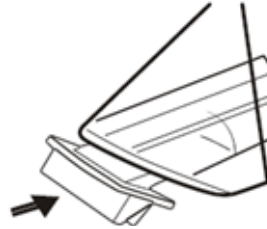
- 3.4.3.1. Lig en verwyder die stofsuijer van die dokstasie.
- 3.4.3.2. Heg die sagte kwas of spleetgereedskap aan die suigspuit vas om beperkte spasies te bereik.
- 3.4.3.3. Skakel die stofsuijer AAN met die aan / uitskakelaar.
- 3.4.3.4. Sit die stofsuijer na gebruik op die stasie. Die LED-aanwyser sal verlig om aan te dui dat die stofsuijer gelaai word.

LET WEL: Maak die stofhouer leeg is voordat u dit na die dokstasie terugkeer om seker te maak dit blok nie.



3.4.4. Stofsuig vloestowwe:

- 3.4.4.1. Lig en verwyder die stofsuijer van die dokstasie.
- 3.4.4.2. Heg die watersuiggereedskap aan die suigpyp vas.
- 3.4.4.3. Skakel die stofsuijer aan met die AAN / AF skakelaar...
- 3.4.4.4. Jy kan nou vloestof opsuig met die aanhegsel voorsien



- 3.4.4.5. Wanneer vloestof opgesuig word, Maak seker dat die stofsuijer tussen 'n hoek van 40 en 90 grade geposisioneer word.

MOET NOOIT TOELAAT DAT VLOESTOF MET DIE MOTOR IN KONTAK KOM NIE !!

- 3.4.4.6. As jy klaar is, moet jy die stofhouer van alle vloestof leegmaak en droog gemaak word voordat dit gestoor word. As jy dit stoor met vloestof in kan dit lei tot swak suig krag en elekriese skok
LET WEL: MOENIE toelaat dat die vloestof in die stofhouer die MAX wat aan die kant gemerk is, oorskry nie..

4. Skoonmaak en instandhouding:

4.1. Verwyder die stofhouer:

- 4.1.1. Druk die uitlaatknoppie van die stofhouer bo-op die handvatse en skuif die stofhouer weg van die motorafdeling.
- 4.1.2. Om die stofhouer weer in te pas, skuif die houer terug op die motorafdeling totdat dit vasgeklip word.

4.2. Skoonmaak van stofhouer en filter:

4.2.1. Verwyder die stofhouer.

- 4.2.2. Verwyder die filter deur dit uit die filter houer te gly.
- 4.2.3. Maak die stoffilter en die binnekant van die stofhouer skoon.
- 4.2.4. Sit die filter weer in die stofhouer (maak seker





dat die filter heeltemal tot by die plastiekstop in die houer gedruk word) en sit die stofhouer weer in die stofsuiër

Die filter is wasbaar maar moet na `n tyd vervang word. Vervangings filters is beskikbaar om te koop. Sien asseblief besonderhede in die agterkant van hierdie handleiding.

5. Sorg en instandhouding:

5.1. BELANGRIK: Ontkoppel van muurprop voor skoonmaak en onderhoud. Gebruik nooit skerp instrumente of skuurmiddels, seep, huishoudelike skoonmaker, wasmiddel of waspolitoer vir die skoonmaak nie. Maak die buitenste oppervlakte slegs met 'n klam sagte lap skoon.

6. Anomalies and herstel:

6.1. Neem die toestel na `n gemagtigde tegniese sentrum as toestel beskadig is of probleme ontstaan.

6.2. As konneksie na die muurprop beskadig is, moet die toestel vervang word volgens waarborg.

7. Tegniese informasie:

AC: 220-240V ~ 25W 50/60Hz

DC: 4.8V

8. Probleem gids

Probleem	Rede	Aksie
Geen krag	Battery gedreineer	-Laai battery
Lae of geen suigkrag	Battery leeg	Laai die battery
Stof lek van houër	Stofhouer vol	-Maak stofhouer leeg
	Filter geblok	Maak filter skoon
	Stof houer is vol	-Maak stofhouer leeg
	Stof houer is nie reg geïnstalleer nei	Pas die stofhouer korrek

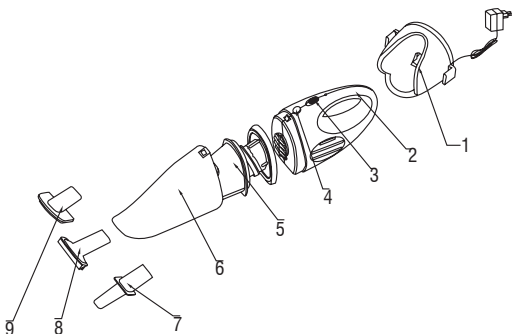




Manual español

Estimado cliente,

Gracias por elegir comprar un producto de marca Mellerware. Gracias a su tecnología, diseño y funcionamiento y al hecho de que supera los más estrictos estándares de calidad, se puede garantizar un uso totalmente satisfactorio y una larga vida del producto.



1. Descripción de las piezas

1. Base de carga
2. Mango
3. Interruptor de encendido / apagado
4. Botón de liberación del contenedor de polvo
5. Ensamblaje del filtro
6. Contenedor de polvo
7. Herramienta de grietas
8. Herramienta de succión de agua
9. Cepillo suave

2. Consejos y advertencias de seguridad!

Lea atentamente estas instrucciones antes de encender el aparato y guárdelas para futuras consultas. El incumplimiento de estas instrucciones podría dar lugar a un accidente. Limpie todas las piezas del producto como se indica en la sección de limpieza, antes de usarlo.

2.1. Uso o ambiente de trabajo:

- 2.1.1. Este aparato está diseñado exclusivamente para uso doméstico y para el propósito designado.
- 2.1.2. No utilice el aparato en exteriores (a menos que haya sido diseñado específicamente para uso en exteriores)
- 2.1.3. Utilice el aparato en un lugar bien ventilado.

- 2.1.4. No exponga el aparato al calor, al sol ni a la humedad (por ejemplo, lluvia)
- 2.1.5. No sumerja nunca el aparato en líquidos y tenga en cuenta los bordes afilados que pueden dañarlo.
- 2.1.6. Nunca utilice el aparato con las manos mojadas o húmedas. Desenchúfelo inmediatamente si se moja o se humedece cuando está funcionando.
- 2.1.7. El aparato está diseñado para aspirar materiales que no son peligrosos para su salud y que no son inflamables.
- 2.1.8. Nunca sostenga los conectores delante de su cara (especialmente sus ojos, oídos, etc) Nunca dirija la boquilla hacia personas o animales.
- 2.1.9. Mantenga alejados a los niños y transeúntes cuando utilice este aparato.
- 2.1.10. No aspire cenizas, carbones calientes, grandes fragmentos de vidrio y objetos afilados.
- 2.1.11. No aspire el polvo del tóner, que se utiliza en impresoras y copias, por ejemplo, porque es eléctricamente conductor. Además, es posible que no sea completamente filtrado por el sistema de filtro de la aspiradora y pueda ser liberado en el aire a través del extractor.
- 2.1.12. No coloque material inflamable cerca del aparato.
- 2.1.13. No utilice el aparato en combinación con un programador, temporizador u otro dispositivo que lo encienda automáticamente.
- 2.1.14. No utilice el aparato si el cable o el enchufe están dañados.
- 2.1.15. Asegúrese de que la tensión indicada en la etiqueta de características coincide con la tensión de red antes de enchufar el aparato.
- 2.1.16. El enchufe del aparato debe encajar correctamente en la toma de corriente. No altere el enchufe.
- 2.1.17. Si el uso de un enchufe múltiple revisa las clasificaciones con cuidado, ya que la corriente utilizada por varios aparatos podría fácilmente superar la clasificación del enchufe múltiple.
- 2.1.18. Si se rompe alguna de las cubiertas del aparato, desconecte inmediatamente el aparato de la red eléctrica para evitar la posibilidad de una descarga eléctrica.
- 2.1.19. No utilice el aparato si ha caído en el suelo o si hay signos visibles de daños.
- 2.1.20. No fuerce el cable de alimentación. Nunca utilice el cable de alimentación para levantar, transportar o desenchufar el aparato.
- 2.1.22. No envuelva el cable de alimentación alrededor del aparato; Utilice el almacenamiento del cable de alimentación en su lugar.
- 2.1.23. No sujete ni doble el cable de alimentación.





2.1.24. No permita que el cable de alimentación cuelgue o entre en contacto con las superficies calientes del aparato.

2.1.25. Compruebe el estado del cable de alimentación. Los cables dañados o enredados aumentan el riesgo de descarga eléctrica.

2.1.26. El aparato no es adecuado para uso en exteriores.

2.1.27. El cable de alimentación debe ser examinado regularmente para detectar signos de daño, y si el cable está dañado, el aparato no debe usarse.

2.1.28. No toque el enchufe con las manos mojadas.

2.2. Seguridad personal:

2.2.1. PRECAUCIÓN: No deje el aparato desatendido durante el uso ya que existe el riesgo de un accidente.

2.2.2. Este aparato es sólo para uso doméstico, no para uso industrial o profesional. No está destinada a ser utilizada por los huéspedes en ambientes de hospitalidad como bed and breakfast, hoteles, moteles y otros tipos de ambientes residenciales, incluso en casas de granja, áreas del personal de cocina en tiendas, oficinas y otros ambientes de trabajo.

2.2.3. Este aparato no está destinado a ser utilizado por personas (incluidos niños) con capacidades físicas, sensoriales o mentales reducidas, o por falta de experiencia y conocimientos, a menos que se les haya dado una supervisión o instrucción sobre el uso del aparato por una persona responsable de su uso la seguridad.

2.2.4. Este aparato no es un juguete. Los niños deben ser supervisados para asegurarse de que no juegan con el aparato.

2.3. Uso y cuidado:

2.3.1. Desenrolle completamente el cable de alimentación del aparato antes de cada uso.

2.3.2. No utilice el aparato si las piezas o los accesorios no están bien colocados.

2.3.3. No utilice el aparato cuando el depósito de polvo esté lleno.

2.3.4. No encienda el aparato mientras esté encendido.

2.3.5. No bloquee los puertos de entrada o de salida.

2.3.6. Desconecte el aparato de la red eléctrica cuando no esté en uso y antes de realizar cualquier tarea de limpieza.

2.3.7. Este aparato debe guardarse fuera del alcance de los niños.

2.3.8. No guarde el aparato si todavía está caliente. Deje que el aparato se enfríe antes de guardarlo.

2.3.9. Nunca deje el aparato desatendido cuando esté en uso y manténgalo fuera del alcance de los niños.

2.3.10. No aspire ningún material afilado, caliente o incandescente

2.3.11. El aparato no debe exponerse al calor.

2.3.12. Desenchufe el aparato de la toma de corriente después de cada uso y antes de cada limpieza. Tire del enchufe, no del cable de red, para desconectar el aparato de la red eléctrica.

2.3.13. Asegúrese de eliminar los bloqueos.

2.3.14. No utilice la aspiradora sin depósito de polvo ni filtro de polvo en su lugar.

2.3.15. No aspire líquidos, cemento, etc., para evitar daños.

2.3.16. Si, por alguna razón, el aparato se incendia, desconecte el aparato de la red eléctrica y NO USE AGUA PARA DESCONECTAR EL FUEGO.

2.4. Servicio:

2.4.1. Asegúrese de que el aparato sea reparado únicamente por un técnico cualificado y que sólo se utilicen piezas de recambio o accesorios originales para reemplazar las piezas / accesorios existentes.

2.4.2. Si el cable de alimentación está dañado, el fabricante o su agente de servicio o una persona cualificada debe reemplazarlo para evitar un peligro.

2.4.3. Cualquier mal uso o incumplimiento de las instrucciones de uso hace nula la garantía y la responsabilidad del fabricante.

3. Instrucciones de uso

3.1. Antes de usar:

3.1.1. Retire la película protectora del aparato (si corresponde).

3.1.2. Antes de poner en marcha el aparato, asegúrese de que los filtros de polvo y el depósito de polvo estén en su lugar antes de aspirar.

3.1.3. Antes de encender el aparato, asegúrese de que el accesorio necesario esté en su posición.

3.1.4. Asegúrese de que el vacío esté completamente cargado antes de usarlo.

3.1.5. Si el vacío no tiene energía, deje que se cargue completamente antes de usarlo. (+/- 8 horas)

3.2. Uso y cuidado:

3.2.1. Aspirar materiales:

3.2.1.1. Asegúrese de que el filtro de tela esté limpio





y seco e instalado correctamente en el interior del conjunto del contenedor de polvo.

3.2.1.2. Asegúrese de que el conjunto del contenedor de polvo se ha hecho clic en su lugar.

3.2.1.3. Asegúrese de que no haya bloqueos.

3.2.1.4. Asegúrese de que el accesorio deseado esté bien conectado.

3.2.1.5. Encienda el aspirador y empiece a aspirar.

3.2.1.6. Cuando haya terminado de aspirar, apague la aspiradora, vacíe el contenedor de polvo y limpie el filtro.

3.3. Bloqueos:

3.3.1. En caso de bloqueos, compruebe lo siguiente en este orden:

3.3.1.1. Compruebe la entrada de vacío.

3.3.1.2. Retire el depósito de polvo y compruebe la entrada de la papelerera.

3.3.1.3. Asegúrese de que el filtro esté limpio.

3.3.1.4. Compruebe los accesorios en busca de obstrucciones.

3.3.1.5. Si sigue habiendo un bloqueo después de seguir estos pasos, póngase en contacto con el fabricante o su agente de servicio o una persona calificada similar.

3.4. Instrucciones de operación:

3.4.1. Montaje en la pared de la estación de acoplamiento:

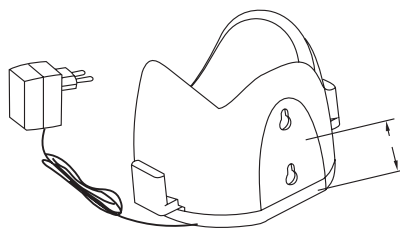
NB - ¡Esto es totalmente opcional!

3.4.1.1. La base de carga está equipada con una función de montaje en pared que es opcional.

3.4.1.2. Taladre 2 agujeros de X 6 mm en la pared con el espacio de 37 mm uno encima del otro. (Use cinta métrica para asegurar que las mediciones sean exactas, ya que pueden ser diferentes.)

3.4.1.3. Inserte 2 tapones de pared de 6 mm y 2 tornillos de 6 mm (asegúrese de que la cabeza del tornillo pueda ajustar los orificios de la base (tornillos y tapones no suministrados)

3.4.1.4. Asegúrese de que la cabeza del tornillo esté lo suficientemente expuesta como para que la cuna se cuelgue. Empuje la base en los tornillos y tire hacia abajo hasta que se enganche firmemente.



3.4.2. Carga:

Nota: ¡Utilice únicamente el cargador suministrado para cargar esta unidad!

3.4.2.1. Inserte el adaptador en la toma de corriente correcta.

3.4.2.2. Asegúrese de que el vacío esté apagado. Coloque el vacío en la estación de acoplamiento y presione hacia abajo hasta que el conector de carga haga clic en la parte posterior del vacío.

3.4.2.3. Una vez conectado, la luz roja del vacío se iluminará.

3.4.2.4. Carga de al menos 8 horas.

3.4.2.5. Para una limpieza eficiente, mantenga el tiempo de uso a +/- 12 minutos.

3.4.3. Aspirar material seco:

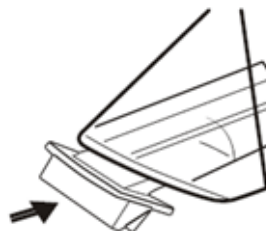
3.4.3.1. Levante y extraiga el vacío de la estación de acoplamiento.

3.4.3.2. Conecte el cepillo suave o la herramienta de la grieta a la boquilla de succión para alcanzar espacios confinados.

3.4.3.3. Conecte el vacío con el interruptor ON / OFF.

3.4.3.4. Vuelva a colocar el vacío en la estación de acoplamiento después de usarlo. El indicador LED se iluminará para indicar que se está cargando el vacío.

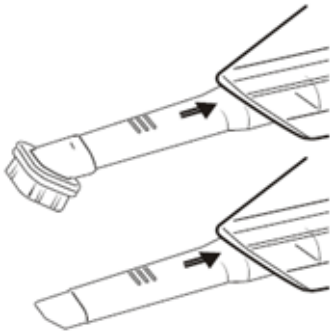
NOTA: Vacíe el contenedor de polvo antes de volver a la estación de acoplamiento para asegurarse de que el vacío no se bloquee.





3.4.4. Aspirar líquidos:

- 3.4.4.1. Levante y extraiga el vacío de la estación de acoplamiento.
- 3.4.4.2. Conecte la herramienta de succión de agua a la boquilla de succión.
- 3.4.4.3. Conecte el vacío con el interruptor ON / OFF.
- 3.4.4.4. Ahora puede aspirar líquidos no inflamables usando la herramienta de succión de agua.



- 3.4.4.5. Al aspirar líquidos, asegúrese de que el vacío esté situado entre un ángulo de 40 y 90 grados.

¡NUNCA PERMITA QUE LOS LÍQUIDOS ENTREN EN CONTACTO CON EL MOTOR!!

- 3.4.4.6. Cuando termine, vacíe el recipiente de polvo de todo el líquido y seque antes de guardarlo. Almacenarlo con líquido residual o húmedo puede resultar en una succión pobre y puede aumentar la posibilidad de descarga eléctrica al acoplar el vacío en la estación de acoplamiento.

NOTA: NO permita que el líquido en el contenedor de polvo exceda el MAX marcado en el lado.

4. Limpieza y mantenimiento:

4.1. Extracción del contenedor de polvo:

- 4.1.1. Presione el botón de liberación del contenedor de polvo en la parte superior de la manija y deslice el contenedor de polvo lejos de la sección del motor.
- 4.1.2. Para volver a montar el contenedor de polvo, deslice el contenedor hacia atrás en la sección del motor hasta que se sujete en su lugar.

4.2. Limpieza del contenedor de polvo y filtro:

- 4.2.1. Retire el contenedor de polvo.

- 4.2.2. Retire el filtro deslizando el soporte del filtro del contenedor de polvo.

- 4.2.3. Limpie el filtro de polvo y el interior del depósito de polvo.

- 4.2.4. Vuelva a colocar el filtro dentro del contenedor de polvo (asegúrese de que el filtro esté completamente empujado hasta que el plástico se detenga dentro del recipiente) y vuelva a colocar el contenedor de polvo en el vacío. El filtro es lavable pero después de tiempo tendrá que ser reemplazado. Los filtros de repuesto están disponibles para su compra. Consulte los detalles en la parte posterior de este manual.

5. Cuidado y mantenimiento:

- 5.1. **IMPORTANTE:** Desenchufe siempre el aparato de la toma de corriente durante la limpieza y el mantenimiento.

Nunca utilice instrumentos afilados o sustancias abrasivas, jabón, limpiador para el hogar, detergente o cera para limpiar. Limpie las superficies externas sólo con un paño suave húmedo.

6. Anomalías y reparación

- 6.1. Lleve el aparato a un centro de asistencia autorizado si el producto está dañado o si surgen otros problemas.

- 6.2. Si la conexión a la red ha sido dañada, debe ser reemplazada y debe proceder como lo haría en caso de daños

7. Datos técnicos:

AC: 220-240V ~ 25W 50 / 60Hz

DC: 4.8V





8. Solución de problemas

Problema	Razon(es)	Aksie
No hay energía	Batería diluida	Cargar la batería completamente
Baja o ninguna potencia de succión	La batería está drenada	Cargue la batería completamente
	El contenedor de polvo está lleno	Vacíe el recipiente
	El filtro está obstruido	Empiar el contenedor
Fugas de polvo de la unidad	El contenedor de polvo está lleno	Vacíe el recipiente
El contenedor de polvo no está montado	El contenedor de polvo no está correctamente montado en la sección del motor	Vuelva a colocar el contenedor de polvo

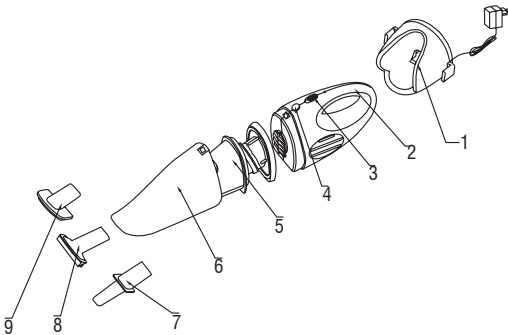




MANUEL EN FRANÇAIS

Cher client,

Merci d'avoir choisi d'acheter un produit de marque Taurus. Grâce à sa technologie, sa conception et son fonctionnement et le fait qu'elle dépasse les normes de qualité les plus strictes, une utilisation parfaitement satisfaisante et une longue durée de vie du produit peuvent être assurées



1. Description des pièces

1. Base de recharge
2. Poignée
3. Interrupteur ON / OFF
4. Bouton de déverrouillage du récipient de poussière
5. Ensemble filtre
6. Conteneur à poussière
7. Outil de crevaison
8. Outil d'aspiration d'eau
9. Brosse douce

2. Conseils et avertissements de sécurité!

Lisez attentivement ces instructions avant d'allumer l'appareil et conservez-les pour référence ultérieure. Le non-respect et l'observation de ces instructions peuvent entraîner un accident. Nettoyez toutes les parties du produit comme indiqué dans la section de nettoyage, avant utilisation.

2.1. Environnement d'utilisation ou de travail:

- 2.1.1. Cet appareil est conçu uniquement pour un usage domestique et aux fins désignées.
- 2.1.2. N'utilisez pas l'appareil à l'extérieur (sauf s'il a été spécifiquement conçu pour une utilisation à l'extérieur)
- 2.1.3. Utilisez l'appareil dans un endroit bien ventilé.
- 2.1.4. Ne pas soumettre l'appareil à la chaleur, ray-

onnement solaire direct ou à l'humidité (par exemple la pluie)

- 2.1.5. Ne jamais plonger l'appareil dans des liquides et prendre conscience des arêtes vives qui pourraient l'endommager.
- 2.1.6. Ne jamais utiliser l'appareil avec les mains mouillées ou humides. Débranchez immédiatement si le mouillé ou humide quand il est en cours d'exécution.
- 2.1.7. L'appareil est conçu pour aspirer des matériaux qui ne sont pas dangereux pour votre santé et qui ne sont pas inflammables.
- 2.1.8. Ne tenez jamais les connecteurs devant votre visage (surtout vos yeux, vos oreilles, etc.) Ne dirigez jamais la buse vers les personnes ou les animaux.
- 2.1.9. Tenir à l'écart des enfants et des personnes présentes lors de l'utilisation de cet appareil.
- 2.1.10. Ne pas aspirer de la cendre, des charbons, des gros fragments de verre et des objets tranchants.
- 2.1.11. Ne pas aspirer de la poussière de toner, qui est utilisé dans les imprimantes et les copies, par exemple, car Elle est conducteur électrique. En outre, il est possible qu'il ne soit pas complètement filtré par le système de filtre de l'aspirateur et qu'il puisse être relâché dans l'air par l'échappement.
- 2.1.12. Ne placez pas de matériaux inflammables à proximité de l'appareil.
- 2.1.13. N'utilisez pas l'appareil en association avec un programmeur, une minuterie ou un autre appareil qui l'allume automatiquement.
- 2.1.14. N'utilisez pas l'appareil si le câble ou la fiche est endommagé.
- 2.1.15. Assurez-vous que la tension indiquée sur l'étiquette d'évaluation correspond à la tension d'alimentation secteur avant de brancher l'appareil.
- 2.1.16. La fiche de l'appareil doit s'adapter correctement à la prise secteur. Ne modifiez pas la fiche.
- 2.1.17. Si vous utilisez une prise multiple, vérifiez bien les notes car le courant utilisé par plusieurs appareils pourrait facilement dépasser la note de la prise multiple.
- 2.1.18. Si l'une des enveloppes de l'appareil est en panne, débranchez immédiatement l'appareil de l'alimentation électrique afin d'éviter tout risque de choc électrique.
- 2.1.19. N'utilisez pas l'appareil s'il tombe sur le sol ou s'il y a des signes visibles de dégâts.
- 2.1.20. Ne forcez pas le cordon d'alimentation. N'utilisez jamais le cordon d'alimentation pour soulever, transporter ou débrancher l'appareil.
- 2.1.22. Ne pas enrouler le cordon d'alimentation autour de l'appareil; Utilisez plutôt le stockage du cordon d'alimentation.





- 2.1.23. Ne pas couper ni plier le cordon d'alimentation.
- 2.1.24. Ne laissez pas le cordon d'alimentation s'accrocher ou entrer en contact avec les surfaces chaudes de l'appareil.
- 2.1.25. Vérifiez l'état du cordon d'alimentation. Les câbles endommagés ou enchevillés augmentent le risque de choc électrique.
- 2.1.26. L'appareil ne convient pas à l'extérieur.
- 2.1.27. Le cordon d'alimentation doit être régulièrement examiné pour détecter les signes de dommages et si le cordon est endommagé, l'appareil ne doit pas être utilisé.
- 2.1.28. Ne pas toucher la fiche avec les mains mouillées.

2.2. Sécurité personnelle:

- 2.2.1. ATTENTION: Ne laissez pas l'appareil sans surveillance lors de l'utilisation car il y a risque d'accident.
- 2.2.2. Cet appareil n'est utilisé qu'à usage domestique et non à usage industriel ou professionnel. Il n'est pas destiné à être utilisé par des invités dans des environnements d'hôtellerie tels que des chambres d'hôtes, des hôtels, des motels et d'autres types d'environnements résidentiels, même dans les maisons de ferme, les domaines du personnel de cuisine dans les magasins, les bureaux et autres environnements de travail.
- 2.2.3. Cet appareil n'est pas destiné à être utilisé par des personnes (y compris des enfants) avec des capacités physiques, sensorielles ou mentales réduites, ou un manque d'expérience et de connaissances, à moins d'avoir reçu une supervision ou des instructions concernant l'utilisation de l'appareil par une personne responsable de leur sécurité.
- 2.2.4. Cet appareil n'est pas un jouet. Les enfants devraient être surveillés pour s'assurer qu'ils ne jouent pas avec l'appareil.

2.3. Utilisation et soin:

- 2.3.1. Déroulez entièrement le câble d'alimentation de l'appareil avant chaque utilisation.
- 2.3.2. N'utilisez pas l'appareil si les pièces ou les accessoires ne sont pas correctement installés.
- 2.3.3. N'utilisez pas l'appareil lorsque la poubelle est pleine.
- 2.3.4. Ne tournez pas l'appareil lorsqu'il est allumé.
- 2.3.5. Ne bloquez pas les ports d'entrée ou de sortie.
- 2.3.6. Débranchez l'appareil de l'alimentation secteur lorsqu'il n'est pas utilisé et avant toute tâche de nettoyage.

- 2.3.7. Cet appareil doit être stocké hors de portée des enfants.
- 2.3.8. Ne rangez pas l'appareil s'il est encore chaud. Laissez refroidir l'appareil avant le stockage.
- 2.3.9. Ne laissez jamais l'appareil sans surveillance lorsque vous l'utilisez et gardez-vous hors de portée des enfants.
- 2.3.10. Ne pas aspirer un matériau pointu, chaud ou incandescent
- 2.3.11. L'appareil ne doit pas être exposé à la chaleur.
- 2.3.12. Débranchez l'appareil de la prise secteur après utilisation et avant tout nettoyage. Tirez la fiche, pas le câble secteur, afin de débrancher l'appareil du secteur.
- 2.3.13. Assurez-vous que les blocages sont enlevés.
- 2.3.14. N'utilisez pas l'aspirateur sans poubelle ou filtre à poussière en place.
- 2.3.15. Ne pas aspirer des liquides, du ciment, etc., afin d'éviter tout dommage.
- 2.3.16. Si, pour une raison ou pour une autre, l'appareil devait prendre feu, débrancher l'appareil de l'alimentation secteur et NE PAS UTILISER D'EAU POUR ARRÊTER L'INCENDIE.

2.4. Entretien:

- 2.4.1. Assurez-vous que l'appareil n'est entretenu que par un technicien qualifié et que seules les pièces de rechange d'origine ou les accessoires sont utilisés pour remplacer les pièces / accessoires existants.
- 2.4.2. Si le cordon d'alimentation est endommagé, le fabricant ou son agent d'entretien ou une personne qualifiée doit le remplacer afin d'éviter tout risque.
- 2.4.3. Toute utilisation abusive ou le non-respect des instructions d'utilisation rend la garantie et la responsabilité du fabricant nulle et non avenue.

3. Instructions d'utilisation

3.1. Avant utilisation:

- 3.1.1. Retirez le film de protection de l'appareil (le cas échéant).
- 3.1.2. Avant d'allumer l'appareil, assurez-vous que les filtres à poussière et la poubelle sont en place avant d'aspirer.
- 3.1.3. Avant d'allumer l'appareil, assurez-vous que l'accessoire requis est dans la position.
- 3.1.4. Assurez-vous que l'aspirateur est complètement chargé avant utilisation.
- 3.1.5. Si l'aspirateur n'a pas de courant, laissez-le charger complètement avant utilisation. (+/- 8 heures)





3.2. Utilisation et soin:

3.2.1. Matériaux d'aspiration:

3.2.1.1. Assurez-vous que le filtre en tissu est propre et sec et correctement installé à l'intérieur de l'ensemble poubelle.

3.2.1.2. Assurez-vous que l'ensemble poubelle est mis en place.

3.2.1.3. Assurez-vous qu'il n'y a pas de blocage.

3.2.1.4. Assurez-vous que l'accessoire désiré est bien connecté.

3.2.1.5. Allumez l'aspirateur et démarrez l'aspirateur.

3.2.1.6. Lorsque vous avez terminé d'aspirer, éteignez l'aspirateur, videz le récipient à poussière et nettoyez le filtre.

3.3. Bloquages:

3.3.1. En cas de blocage, vérifiez ce qui suit dans cet ordre:

3.3.1.1. Vérifier l'entrée de l'aspirateur.

3.3.1.2. Retirez le bac à poussière et vérifiez l'entrée de la poubelle.

3.3.1.3. Assurez-vous que le filtre est propre.

3.3.1.4. Vérifiez les accessoires pour toute obstruction.

3.3.1.5. S'il y a encore un blocage après avoir suivi ces étapes, contactez le fabricant ou son agent d'entretien ou une personne qualifiée.

3.4. Mode d'emploi:

3.4.1. Montage mural de la station d'accueil:

NB: Ceci est tout à fait facultatif !!

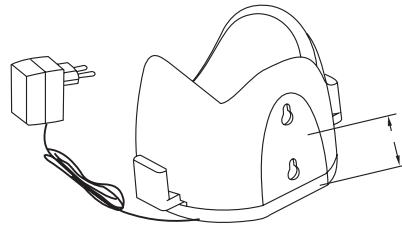
3.4.1.1. Le berceau de chargement est équipé d'une fonction de montage mural qui est optionnelle.

3.4.1.2. Percez 2 trous de 6 mm dans le mur avec un espace de 37 mm l'un de l'autre. (Utilisez un ruban à mesurer pour s'assurer que les mesures sont précises car elles peuvent différer.)

3.4.1.3. Insérez des bouchons muraux 2 x 6 mm et des vis 2 x 6 mm (assurez-vous que la tête de la vis est capable de

Ajuster les trous du berceau. (Vis et bouchons non fournis)

3.4.1.4. Assurez-vous que la tête de la vis est suffisamment exposée pour que le berceau s'accroche. Pousser le berceau sur les vis et abaisser jusqu'à ce qu'il s'accroche en toute sécurité.



3.4.2. Charger:

NB: Utilisez uniquement le chargeur fourni pour charger cet appareil!

3.4.2.1. Insérez l'adaptateur dans la prise murale appropriée.

3.4.2.2. Assurez-vous que l'aspirateur est éteint.

Placez l'aspirateur sur la station d'accueil et poussez vers le bas jusqu'à ce que le connecteur de charge clique à l'arrière de l'aspirateur.

3.4.2.3. Une fois connecté, le voyant rouge de l'aspirateur s'allume.

3.4.2.4. Chargez pendant au moins 8 heures.

3.4.2.5. Pour un nettoyage efficace, gardez le temps d'utilisation de +/- 12 minutes.

3.4.3. Aspiration du produit sec:

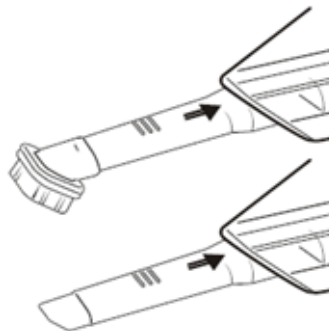
3.4.3.1. Soulevez et retirez le vide de la station d'accueil.

3.4.3.2. Fixez la brosse douce ou l'outil de crevasse à la buse d'aspiration pour atteindre des espaces confinés.

3.4.3.3. Allumez le vide à l'aide de l'interrupteur ON / OFF.

3.4.3.4. Remplacez l'aspirateur sur la station d'accueil après l'utilisation. L'indicateur s'allume pour indiquer que l'aspirateur est en cours de chargement.

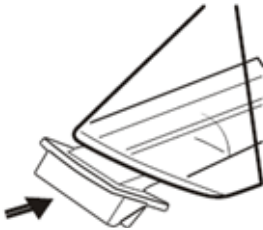
REMARQUE: Videz le réservoir de poussière avant de revenir à la station d'accueil pour vous assurer que l'aspirateur ne soit pas bloqué.





3.4.4. Aspiration de liquides:

- 3.4.4.1. Soulevez et retirez l'aspirateur de la station d'accueil.
- 3.4.4.2. Fixez l'outil d'aspiration d'eau à la buse d'aspiration.
- 3.4.4.3. Allumez l'aspirateur à l'aide de l'interrupteur ON / OFF.
- 3.4.4.4. Vous pouvez maintenant aspirer des liquides non inflammables à l'aide de l'outil d'aspiration d'eau.



- 3.4.4.5. Lors de l'aspiration de liquides, assurez-vous que le vide est placé entre un angle de 40 et 90 degrés. **NE JAMAIS LAISSER EN LIQUIDE ENTRER EN CONTACT AVEC LE MOTEUR!!**
 - 3.4.4.6. Une fois terminé, vider le conteneur de poussière de tout liquide et sécher avant le stockage. Le stockage avec un liquide résiduel ou une humidité peut entraîner une mauvaise aspiration et peut augmenter les risques d'électrocution lors de l'atterrissage de l'aspirateur sur la station d'accueil.
- REMARQUE: NE PAS laisser le liquide dans le récipient à poussière dépasser le MAX marqué sur le côté.

4. Nettoyage et maintenance:

4.1. Retrait du récipient à poussière:

- 4.1.1. Appuyez sur le bouton de déverrouillage du récipient de poussière sur le dessus de la poignée et faites glisser le conteneur de poussière loin de la section du moteur.
- 4.1.2. Pour réajuster le récipient à poussière, faites glisser le récipient de nouveau sur la section du moteur jusqu'à ce qu'il se bloque en place.

4.2. Nettoyage du récipient à poussière et du filtre:

- 4.2.1. Retirez le récipient à poussière.
- 4.2.2. Retirez le filtre en faisant glisser le porte-filtre hors du récipient à poussière.
- 4.2.3. Nettoyez le filtre à poussière et l'intérieur du récipient à poussière.
- 4.2.4. Réinstallez le filtre à l'intérieur du récipient à

poussière (assurez-vous que le filtre est complètement enfoncé dans les arrêts de plastique à l'intérieur du récipient) et ajustez le récipient à poussière à l'aspirateur. Le filtre est lavable mais après le temps, il faudra le remplacer. Des filtres de rechange sont disponibles pour l'achat. Voir les détails à l'arrière de ce manuel.

5. Entretien et maintenance:

- 5.1. **IMPORTANT:** toujours débrancher l'appareil de la prise de courant pendant le nettoyage et la maintenance. N'utilisez jamais d'instruments tranchants ou de substances abrasives, de savon, de nettoyant ménager, de détergent ou de cirage pour le nettoyage. Nettoyez les surfaces extérieures uniquement avec un chiffon humide.

6. Anomalies et réparation

- 6.1. Amenez l'appareil dans un centre d'assistance autorisé si le produit est endommagé ou d'autres problèmes apparaissent.
- 6.2. Si la connexion au secteur a été endommagée, elle doit être remplacée et vous devez procéder comme vous le feriez en cas de dommage

7. Données techniques:

AC: 220-240V ~ 25W 50 / 60Hz
DC: 4.8V

8. Dépannage

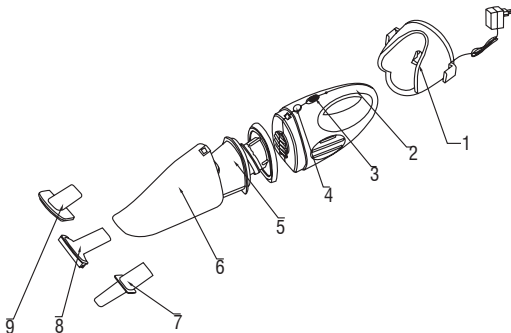
Probleme	Razon(es)	Solution(s)
pas d'alimentation	batterie déchargée	Charge complètement la batterie
Puissance d'aspiration faible ou nulle	batterie déchargée	Charge complètement la batterie
	Le conteneur est plein	Vider le conteneur
	Filter is clogged	Clean the filter
La poussière fuit à partir de l'unité	Le conteneur est plein	Vider le conteneur
	Le conteneur à poussière n'est pas installé	reinstallez le conteneur à poluissière.





MANUAL PORTUGUÊS

Caro cliente, Obrigado por escolher comprar um produto da marca Mellerware. Graças à sua tecnologia, design e operação e ao facto de exceder os mais rigorosos padrões de qualidade, um uso totalmente satisfatório e uma longa vida útil do produto podem ser assegurados.



1. Descrição das peças

1. Base de carregamento
2. Alça
3. Interruptor ON / OFF
4. Botão de libertação do recipiente de pó
5. Conjunto do filtro
6. Recipiente de pó
7. Ferramenta de fenda
8. Ferramenta de sucção de água
9. Escova macia

2. Conselhos e avisos de segurança!

Leia atentamente estas instruções antes de ligar o aparelho e guarde - as para referência futura. A não observância destas instruções pode levar a um acidente. Limpe todas as peças do produto conforme indicado na seção de limpeza, antes de usar.

2.1. Utilização ou ambiente de trabalho:

- 2.1.1. Este aparelho foi concebido exclusivamente para uso doméstico e para o fim designado.
- 2.1.2. Não utilize o aparelho ao ar livre (a menos que tenha sido projetado especificamente para uso externo)
- 2.1.3. Utilize o aparelho numa área bem ventilada.
- 2.1.4. Não exponha o aparelho ao calor, ao sol ou à humidade (por exemplo, chuva)

2.1.5. Nunca mergulhe o aparelho em líquidos e tenha em atenção as arestas que possam danificá-lo.

2.1.6. Nunca utilize o aparelho com as mãos molhadas ou húmidas. Desligue-o imediatamente se o for molhado ou húmido quando estiver funcionando.

2.1.7. O aparelho foi concebido para aspirar materiais que não são perigosos para a sua saúde e que não são inflamáveis.

2.1.8. Nunca segure os conectores na frente do seu rosto (especialmente os olhos, orelhas, etc) Nunca direcione o bico para pessoas ou animais.

2.1.9. Mantenha as crianças e os espectadores afastados quando utilizar este aparelho.

2.1.10. Não aspirar cinzas, brasas, grandes fragmentos de vidro e objetos afiados.

2.1.11. Não aspirar qualquer pó de toner, que é usado em impressoras e cópias, por exemplo, porque é eletricamente condutor. Além disso, é possível que não seja completamente filtrada pelo sistema de filtragem do aspirador de pó e possa ser libertada no ar através do exaustor.

2.1.12. Não coloque material inflamável perto do aparelho.

2.1.13. Não utilize o aparelho em associação com um programador, temporizador ou outro dispositivo que o ligue automaticamente.

2.1.14. Não utilize o aparelho se o cabo ou a ficha estiverem danificados.

2.1.15. Certifique-se de que a tensão indicada na etiqueta de identificação corresponde à tensão de alimentação da rede antes de ligar o aparelho.

2.1.16. O plugue do aparelho deve encaixar corretamente na tomada de alimentação. Não altere a ficha.

2.1.17. Se estiver usando um multi plug verificar avaliações cuidadosamente como a corrente utilizada por vários aparelhos poderia easily exceder a classificação do multi plug.

2.1.18. Se qualquer um dos invólucros do aparelho se quebrar, desligue imediatamente o aparelho da corrente eléctrica para evitar a possibilidade de choque eléctrico.

2.1.19. Não utilize o aparelho se cair no chão ou se houver sinais visíveis de danos.

2.1.20. Não force o cabo de alimentação. Nunca utilize o cabo de alimentação para levantar, transportar ou desligar o aparelho.

2.1.21. Não enrole o cabo de alimentação ao redor do aparelho; Use o armazenamento do cabo de alimentação.

2.1.22. Não prenda nem dobre o cabo de alimentação.

2.1.23. Não permita que o cabo de alimentação fique pendurado ou entre em contacto com as superfícies





quentes do aparelho.

2.1.24. Verifique o estado do cabo de alimentação. Cabos danificados ou emaranhados aumentam o risco de choque elétrico.

2.1.25. O aparelho não é adequado para uso no exterior.

2.1.26. O cabo de alimentação deve ser examinado regularmente para detectar sinais de danos, e se o cabo estiver danificado, o aparelho não deve ser utilizado.

2.1.27. Não toque na ficha com as mãos molhadas.

2.2. Segurança pessoal:

2.2.1. CUIDADO: Não deixe o aparelho desatento durante o uso, pois há risco de acidente.

2.2.2. Este aparelho destina - se apenas a uso doméstico, não para uso industrial ou profissional. Não se destina a ser utilizado por hóspedes em ambientes de hospitalidade, como cama e pequeno-almoço, hotéis, motéis e outros tipos de ambientes residenciais, mesmo em casas de fazenda, áreas do pessoal de cozinha em lojas, escritórios e outros ambientes de trabalho.

2.2.3. Este aparelho não deve ser utilizado por pessoas (incluindo crianças) com capacidades físicas, sensoriais ou mentais reduzidas, ou por falta de experiência e conhecimento, a não ser que tenham recebido uma supervisão ou instruções relativas à utilização do aparelho por uma pessoa responsável pela sua segurança.

2.2.4. Este aparelho não é um brinquedo. As crianças devem ser supervisionadas para garantir que não brincam com o aparelho.

2.3. Uso e cuidados:

2.3.1. Solte completamente o cabo de alimentação do aparelho antes de cada utilização.

2.3.2. Não utilize o aparelho se as peças ou os acessórios não estiverem correctamente montados.

2.3.3. Não utilize o aparelho quando estiver cheio.

2.3.4. Não ligue o aparelho enquanto estiver a ser utilizado ou ligado à rede eléctrica.

2.3.5. Não bloqueie as portas de entrada ou de saída.

2.3.6. Desconecte o aparelho da rede de alimentação quando não estiver em uso e antes de realizar qualquer tarefa de limpeza.

2.3.7. Este aparelho deve ser guardado fora do alcance das crianças.

2.3.8. Não guarde o aparelho se ainda estiver quente.

Deixe o aparelho esfriar antes de guardar.

2.3.9. Nunca deixe o aparelho sem vigilância quando estiver a ser utilizado e mantenha-os fora do alcance das crianças.

2.3.10. Não aspirar nenhum material afiado, quente ou incandescente

2.3.11. O aparelho não deve ser exposto ao calor.

2.3.12. Desligue o aparelho da tomada eléctrica após cada utilização e antes de cada limpeza. Puxe a ficha, não o cabo de alimentação, para desligar o aparelho da rede eléctrica.

2.3.13. Certifique-se de que os bloqueios são removidos.

2.3.14. Não utilize o aspirador sem depósito de pó ou filtro de pó no lugar.

2.3.15. Não aspirar qualquer farinha, cimento etc, a fim de evitar as sobrecargas.

2.3.16. Se, por algum motivo, o aparelho se incendiar, desligue o aparelho da rede eléctrica e NÃO UTILIZE ÁGUA PARA DESLIGAR.

2.4. Serviço:

2.4.1. Assegure-se de que o aparelho é reparado apenas por técnicos devidamente qualificados e de que apenas peças de reposição originais ou acessórios são utilizados para substituir peças / acessórios existentes.

2.4.2. Se o cabo de alimentação estiver danificado, o fabricante ou o seu agente de assistência ou uma pessoa qualificada deve substituí-lo para evitar um perigo.

2.4.3. Qualquer mau uso ou falha em seguir as instruções de uso torna nula a garantia e a responsabilidade do fabricante.

3. Instruções de utilização

3.1. Antes de usar:

3.1. Remova a película protetora do aparelho (se aplicável).

3.1.2. Antes de colocar o aparelho em funcionamento, certifique-se de que os filtros de poeiras eo depósito de poeiras estejam no lugar antes de aspirar.

3.1.3. Antes de ligar o aparelho, certifique-se de que o acessório necessário está na posição.

3.1.4. Certifique-se de que o vácuo está totalmente carregado antes de usar.

3.1.5. Se o vácuo não tiver energia, deixe carregar completamente antes de usar. (+/- 8 horas)

3.2. Uso e cuidados:





3.2.1. Aspiradores de materiais:

3.2.1.1. Certifique-se de que o filtro de pano está limpo e seco e devidamente instalado dentro do conjunto do escaninho de poeira.

3.2.1.2. Certifique-se de que o conjunto do escaninho de poeira está encaixado no lugar.

3.2.1.3. Certifique-se de que não existem bloqueios.

3.2.1.4. Certifique-se de que o acessório desejado está firmemente conectado.

3.2.1.5. Ligue o aspirador e comece a aspirar.

3.2.1.6. Quando terminar a aspiração, desligue o aspirador, esvazie o recipiente de pó e limpe o filtro.

3.3. Bloqueios:

3.3.1. Em caso de bloqueios, verifique o seguinte na seguinte ordem:

3.3.1.1. Verifique a entrada do vácuo.

3.3.1.2. Remova a lixeira e verifique a entrada da lixeira.

3.3.1.3. Certifique-se de que o filtro está limpo.

3.3.1.4. Verifique se há obstruções nos acessórios.

3.3.1.5. Se ainda houver um bloqueio depois de seguir estes passos, contacte o fabricante ou o seu agente de assistência técnica ou uma pessoa igualmente qualificada.

3.4. Instruções de operação:

3.4.1. Montagem na parede da estação de ancoragem:

NB - Isso é totalmente opcional !!

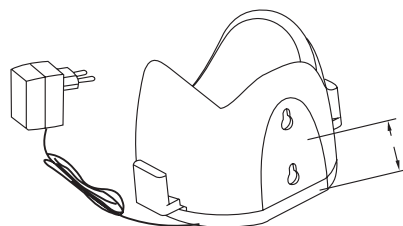
3.4.1.1. O berço de carregamento está equipado com recurso de montagem na parede que é opcional.

3.4.1.2. Perfure 2 furos de X 6mm na parede com o espaço de 37mm acima de se. (Use fita métrica para garantir que as medições são precisas, pois elas podem ser diferentes.)

3.4.1.3. Insira 2 pinos de parede de 6 mm e parafusos de 2 x 6 mm (certifique-se de que a cabeça do parafuso possa encaixar os orifícios do suporte (parafusos e plugues não fornecidos)

3.4.1.4. Certifique-se de que a cabeça fora do parafuso está exposta o suficiente para o berço para pendurar. Empurre a base para os parafusos e puxe para baixo até que ele ganchos com segurança.

3.4.2. Carregamento:



Nota: Utilize apenas o carregador fornecido para carregar esta unidade!

3.4.2.1. Insira o adaptador na tomada de parede correta.

3.4.2.2. Certifique-se de que o vácuo está desligado. Coloque o vácuo na estação de ancoragem e empurre para baixo até que o conector de carga clique na parte de trás do vácuo.

3.4.2.3. Uma vez conectado, a luz vermelha no vácuo se iluminará.

3.4.2.4. Carregar durante pelo menos 8 horas.

3.4.2.5. Para uma limpeza eficiente, mantenha o tempo de uso em +/- 12 minutos.

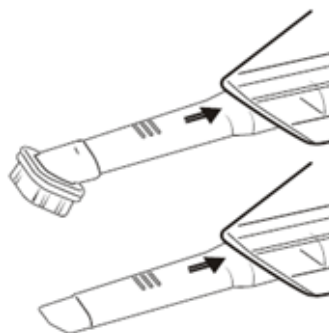
3.4.3. Aspirar material seco:

3.4.3.1. Levante e remova o vácuo da estação de ancoragem.

3.4.3.2. Conecte a escova macia ou ferramenta de fenda para o bico de sucção para chegar a espaços confinados.

3.4.3.3. Ligue o vácuo utilizando o interruptor ON / OFF.

3.4.3.4. Substitua o vácuo na estação de ancoragem após o uso. O indicador LED acende-se para indicar que o vácuo está a ser carregado.



NOTA: Esvazie o recipiente de poeira antes de regressar à estação de ancoragem para garantir que o vácuo não fique bloqueado.





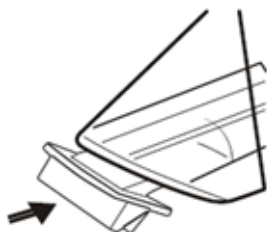
3.4.4. Aspirar líquidos:

3.4.4.1. Levante e remova o vácuo da estação de ancoragem.

3.4.4.2. Coloque a ferramenta de sucção de água no bico de sucção.

3.4.4.3. Ligue o aspirador utilizando o interruptor ON / OFF.

3.4.4.4. Agora você pode aspirar líquidos não inflamáveis usando a ferramenta de sucção de água.



3.4.4.5. Ao aspirar líquidos, certifique-se de que o vácuo esteja posicionado entre um ângulo de 40 e 90 graus.

NUNCA PERMITA LÍQUIDOS PARA ENTRAR EM CONTATO COM O MOTOR !!

3.4.4.6. Quando terminar, esvazie o recipiente de pó de todo o líquido e seque antes de guardar. O armazenamento com líquido residual ou umidade pode resultar em má sucção e pode aumentar a chance de choque elétrico ao encaixar o vácuo na estação de encaixe.

NOTA: NÃO permita que o líquido no recipiente de pó exceda o MAX marcado no lado.

4. Limpeza e manutenção:

4.1. Remoção do recipiente de poeira:

4.1.1. Pressione o botão de liberação do recipiente de poeira na parte superior da alça e deslize o recipiente de poeira para longe da seção do motor.

4.1.2. Para voltar a montar o recipiente de pó, deslize o recipiente de volta para a secção do motor até encaixar no lugar.

4.2. Limpeza do depósito de pó e do filtro:

4.2.1. Remova o recipiente de poeira.

4.2.2. Remova o filtro deslizando o suporte do filtro para fora do recipiente de poeira.

4.2.3. Limpe o filtro de poeira eo interior do recipiente de pó.

4.2.4. Volte a colocar o filtro no interior do recipiente

de pó (certifique-se de que o filtro é empurrado até ao plástico para dentro do recipiente) e reponha o recipiente de pó ao vácuo. O filtro é lavável, mas após o tempo ele terá de ser substituído. Filtros de substituição estão disponíveis para compra. Consulte os detalhes na parte traseira deste manual.

5. Cuidados e manutenção:

5.1. **IMPORTANTE:** Desligue sempre o aparelho da tomada eléctrica durante a limpeza e manutenção. Nunca utilize instrumentos afiados ou substâncias abrasivas, sabão, detergente ou cera para limpeza. Limpe as superfícies externas apenas com um pano macio e húmido.

6. Anomalias e reparos

6.1. Leve o aparelho a um centro de assistência autorizado caso o produto esteja danificado ou surjam outros problemas.

6.2. Se a conexão à rede eléctrica tiver sido danificada, ela deve ser substituída e você deve proceder como faria em caso de danos

7. Dados técnicos:

AC: 220-240V ~ 25W 50 / 60Hz

DC: 4.8V

8. Solução de problemas

Problema	Motivo(s)	Solução (ões)
Não há Alimentação	Bateria esgotada	Carregue a bateria completamente
Baixo ou nenhum poder de sucção	Bateria está drenada	Carregue a bateria completamente
	O recipiente de poeira está cheio	Esvaziar o recipiente
	Filtro está obstruído	Limpar o filtro
Vazamento da unidade de poeira da	O recipiente do lixo está cheio	Esvaziar o recipiente
O recipiente de pó não está montado	Volte a colocar o recipiente de pó na secção do motor correctamente	Re-ajustar o recipiente de pó



mellerware

makes life easier



Thank you for purchasing a Mellerware product. Mellerware guarantees that your product has been thoroughly inspected and tested before being dispatched and is free from mechanical and electrical defects and complies with the applicable safety standards. With every Mellerware product purchased you get a 2 year warranty as detailed in the terms and conditions below.

First Year – 1 Year Retail Warranty:

Should defects due to faulty parts or workmanship develop, under normal use, within 12 months from the original purchase date, please return the product to the store from where it was purchased for repair free of charge. However, for the customer's convenience we will replace products where the purchase price is equal to or less than R750 incl. VAT

Second Year – 1 Year Extended Warranty

Mellerware takes pride in their product quality and therefore offer an extended 12 month warranty over and above the 1 Year Retail Warranty. Should defects due to faulty material or workmanship develop, under normal domestic use, after the 12 month period and within 24 months from the original date of purchase, please return the product postage pre-paid to Mellerware for repair. Mellerware will repair the product free of charge and return it to you directly. Mellerware will replace a product with a similar product in the same or better condition, if the repair cannot be conducted for whatever reason.

NB: The 1 Year Extended Warranty is only valid for customers who have registered their warranty online at www.mellerware.co.za within the first year after making their purchase. See overleaf for details and instructions.

Before returning your product, check the following:

- Your household mains supply socket is in good condition, working and switched on.
- The mains supply circuit is not overloaded (White trip switch on your DB board is off).
- You have read the trouble shooting guide in your Instructions for Use.
- All accessories and parts are present.

The following conditions apply:

1. Please ensure you retain your receipt as this must be presented when making a claim under the terms of the guarantee. It is impossible to determine the guarantee period without proof of purchase, so please keep this in a safe place. (NB. Your guarantee can be scanned onto the Mellerware web site for safe storage – see reverse side for details.)
2. If a refund or exchange is required the product must be complete with all accessories, parts and packaging. Missing parts will render the guarantee void.
3. Upon receipt of your appliance, check it for any transport damage to ensure it is safe for use. Return it to the store as soon as possible for exchange if damaged. The guarantee is void if products are damaged after use, so please do not use the damaged product.

4. Your product is designed for normal domestic household use. Failure to read and comply with the instructions for use, cleaning and maintenance will render your guarantee void, so please read these instructions carefully to ensure your safety, and to get the most effective use from the product. (e.g. not removing lime scale; water deposits; insect infestation, and/or burnt products)
5. Any abuse, negligent, improper or accidental use or care will render the guarantee void and Creative Housewares (Pty) Ltd will not be liable for any loss or damage.
6. Any attempted repair, or replacement of unauthorised parts will render the guarantee void, so please contact an authorised service centre or service agent for any service or repair requirements.
7. NB: The guarantee on replaced products will be from the original date of purchase and not from when the date replacement was made.
8. All repairs carry a 3 month guarantee even if this falls outside of the 2 year guarantee period.
9. Mellerware will attempt to conduct repairs within reasonable time in line with industry standards but cannot be held responsible or liable for any circumstances not under our control.
10. Terms and Conditions are subject to change without prior notice.

Repairs Out of the Warranty Period

If service or repair becomes necessary outside the warranty period, this service is still available however all transport/postage, spares and labour costs will be for the customers' account. All chargeable repairs will require the customers' written acceptance of the quote. Once the go-ahead has been received Mellerware will undertake to conduct the repair within a reasonable time and maintain the condition of the product as received. All repairs are guaranteed for 3 months from the date of the repair.

For any service, enquiries and complaints please contact our Customer Care on 086 111 5006 or e-mail help@creativehousewares.co.za from 08h00 to 15h00 Monday to Friday excluding public holidays. Please also note that the company is normally closed for 2 weeks around Christmas and New Year.

Please send all products for repair postage pre-paid to one of the service centres listed on the back of this page.

ONLINE WARRANTY REGISTRATION

Why register your warranty?

We at Mellerware pride ourselves on bringing premium quality appliances to market, and as a commitment to this level of quality we offer a 2 year warranty (1 Year Retail + 1 Year Extended) on all of our products. We often hear that our customers lose their receipts and can therefore no longer claim if they have a problem. To take advantage of the 1 Year Extended Warranty you will need to register your warranty online within the first year of purchase in order to make a valid claim. Now you can register your product, upload your warranty online, never have to worry about losing your receipt again and enjoy the benefit of your 2 year warranty.

Added Benefits

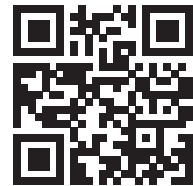
In addition to providing you with an online profile of your registered products we will also provide a host of value added benefits:

- Incentives and Competitions for registered users
- New recipes or ideas for your products
- New product developments – be the first to get the latest appliances
- Special offers on promotional items

How to Register your Online Warranty?

STEP1 Create your user profile:

If you haven't done so already, simply visit www.mellerware.co.za, click on the "Product Registration" link and follow the easy instructions. You will receive a user-name and password once registered. This will give you access to your user profile.



STEP2 Pick a registration method:



DESKTOP/ LAPTOP

- Open your internet browser and visit www.mellerware.co.za
- Click on the "Registration" link and login using your user name and password.
- Click on "Register your products and upload receipts" and follow the easy instructions.
- Scan and upload your receipt



SMART PHONE/ TABLET

- Scan the QR code above or visit www.mellerware.co.za
- Click on the "Registration" link and login using your user name and password.
- Click on "Register your products and upload receipts" and follow the easy instructions.
- Scan or take a photo and upload your receipt.



FAX

- Fax the following to 021 931 4058
- First Name and Surname
- Contact telephone and fax number.
- Product Model number and Type.
- Traceability Code (found on a label on the product)
- A clear and legible copy of your receipt.

Notes:

1. The online warranty system is a safe storage facility for your receipt.
2. You will be required to register on the Mellerware website. You will receive a username and password once registered. This will give you access to your profile.
3. From your profile you will be able to load products that you have purchased. In order to successfully register your warranty you will need to either scan and upload, or fax through your receipt to us.
4. All instructions on how to load your products are available

inside your profile.

5. Please note that you must check that your receipt has been uploaded correctly. Creative Housewares cannot be held responsible for faxes or files not received.
6. For assistance with registration please email: marketing@creativehousewares.co.za.

NB: Your 1 year extended warranty is only valid if your product is registered online within the first year after purchasing your Mellerware product. Failure to register your product on-line within the first year will render the extended warranty as void.

creative housewares

National Service Centre: 086 111 5006
e-mail: help@creativehousewares.co.za
www.creativehousewares.co.za

Cape Town

20 Tekstiel Street, Parow, Cape Town, 7493,
South Africa • P.O. Box 6156 Parow East, 7501,
South Africa Tel: +27 21 931 8117
Fax: +27 21 931 4058

Durban

35 Adrain Road, Windermere,
Durban, South Africa, 4001
Tel: +27 31 303 3465
Fax: +27 31 303 8259

Johannesburg

Unit 25 & 26 San Croy Office Park
Die Agora Road, Croydon, 1619
Tel: +27 11 392 5652
Fax: +27 11 392 1694

mellerware®

makes life easier



Dankie vir die aankoop van 'n Mellerware produk. Mellerware waarborg dat u produk deeglik geïnspekteer en getoets word voordat dit versend word en is vry van meganiese en elektriese gebreke en voldoen aan die toepaslike veiligheidsstandaarde. Met elke Mellerware produk wat gekoop word kry u 'n 2 jaar waarborg soos uiteengesit in die terme en voorwaardes hieronder.

Erste Jaar - 1 Jaar Kleinhandelswaarborg:

Indien defekte as gevolg van foutiewe onderdele of vakmanskap binne 12 maande onder normale huishoudelike gebruik ontwikkel, binne die 12 maande vanaf die oorspronklike datum van aankoop, neem asseblief die produk na die winkel van waar dit gekoop is vir 'n terugbetaling of vervanging.

Tweede Jaar - 1 Jaar Uitgebreide Waarborg

Mellerware is trots op die kwaliteit van die produk en bied dus 'n uitgebreide 12 maande waarborg bo en behalwe die 1 Jaar kleinhandelswaarborg. Indien defekte as gevolg van foutiewe materiaal of vakmanskap ontwikkel, onder normale huishoudelike gebruik, na die 12 maande tydperk en binne 24 maande vanaf die oorspronklike datum van aankoop, stuur die produk terug met posgeld betaal na Mellerware vir herstel. Mellerware sal die produk gratis herstel en dit direk aan u terugstuur. Mellerware sal die produk vervang met 'n soortgelyke produk in dieselfde of beter toestand, as die herstel nie uitgevoer kan word vir watter rede ookal nie.

NB: Die 1 Jaar Uitgebreide waarborg is slegs geldig vir kliënte wat hul waarborg geregistreer het op ons webtuiste by www.mellerware.co.za binne die eerste jaar nadat hulle dit aangekoop het. sien keersy vir besonderhede en instruksies.

Voordat u die produk terug stuur, maak seker van die volgende:

- U huishoudelike geleidingsok is in 'n goeie toestand, werk en aangeskakel is,
- Die geleidingsok is nie oorlaai nie (Wit uitskop skakelaar op u DB bord af is),
- U het die moeilikheid sturingsgids gelees in u instruksies vir gebruik,
- Alle bykomstighede en dele teenwoordig is.

Die volgende voorwaardes geld:

1. Maak seker dat u kwitansie behoue is, dit moet aangebied word wanneer 'n eis gemaak word onder die voorwaardes van die waarborg. Dit is onmoontlik om die waarborg tydperk te bepaal sonder die bewys van aankoop, so hou dit asseblief in 'n veilige plek. (NB. U waarborg kan opgeskandeer word na die Mellerware webtuiste vir veilige bewaring - sien keersy vir meer inligting.)
2. Indien 'n terugbetaling of omruiling van die produk nodig is moet die produk volledig wees met al die bykomstighede, onderdele en verpakking. Toebehore wat weg is sal die waarborg nietig maak.
3. Met ontvangs van u toestel, gaan dit na vir enige vervoer skade om te verseker dat dit veilig is vir gebruik. Stuur dit so gou as moontlik terug na die winkel om die beska-

- digde toestel te vervang. Die waarborg is nietig indien die beskadigde produk gebruik word na die tyd, so moet asseblief nie die beskadigde produk gebruik nie.
4. U produk is ontwerp vir normale huishoudelike gebruik. Deur te versuim om die instruksies te lees en te voldoen aan die terme van gebruik, die skoonmaak en instandhouding van die produk maak u waarborg ongeldig, so lees asseblief hierdie instruksies versigtig om u veiligheid te verseker, en om die beste uit die gebruik van die produk te kry. (bv nie die verwydering van kalk skaal; water neerslag; insek besmetting, en / of verbrande produkte)
5. Enige misbruik, nalatige, onbehoorlike of toevallige beskadiging of sorg van die produk word die waarborg nietig en Creative Housewares (Pty) Ltd, sal nie aanspreeklik wees vir enige verlies of skade nie.
6. Enige poging tot herstel, of vervanging met ongemagtigde onderdele sal die waarborg nietig maak, so kontak 'n gemagtigde dienssentrum of diensagent vir enige diens of herstelwerk.
7. NB: Die waarborg op die vervangingsproduk sal by die oorspronklike datum van aankoop bly en nie van die datum wanneer dit vervang is nie.
8. Alle herstelwerk dra 'n 3 maande waarborg selfs al val dit buite die 2-jaar waarborg tydperk.
9. Mellerware sal probeer om die herstelwerk te doen binne 'n redelike tyd in lyn met die industrie standaard, maar kan nie verantwoordelik gehou word of aanspreeklik wees vir enige omstandighede nie onder ons beheer nie.

Herstelwerk buite die waarborg tydperk

As diens of herstelwerk benodig word buite die waarborg tydperk, is hierdie diens steeds beskikbaar, maar is alle vervoer / posgeld, onderdele en arbeidskoste op die kliënte se onkoste. Alle betaalbare herstelwerk sal skriftelike aanvaarding van die kwotasie vereis van die kliënt. Sodra Mellerware die groen lig ontvang sal ons onderneem om die herstel binne 'n redelike tyd en in dieselfde toestand te hou as wat die produk ontvang is. Alle herstelwerk is gewaarborg vir 3 maande vanaf die datum van die herstel.

Vir enige diens, navrae en klagtes kontak ons kliënte diens op 086 111 5006 of e-pos help@creativehousewares.co.za vanaf 08h00 tot 15h00, Maandag tot Vrydag, openbare vakansiedae uitgesluit. Let asseblief ook daarop dat die maatskappy gewoonlik gesluit is vir 2 weke gedurende Kersfees en Nuwejaar.

Stuur asseblief alle produkte vir herstel met posgeld vooruit betaal aan een van die diensentrums wat op die agterkant van hierdie bladsy verskyn.

AANLYN WAARBORG REGISTRASIE

Hoekom moet u die waarborg moet registreer?

Ons by Mellerware is trots om premium gehalte toestelle op die mark te bring, en as 'n verbintenis tot die vlak van gehalte bied ons 'n 2 jaar waarborg (1 Jaar Kleinhandel + 1 Jaar Uitgebreide) op al ons produkte. Ons hoor dikwels dat ons kliënte hul kwitansies verloor en kan dus nie meer eis as hulle 'n probleem het nie. Om voordeel te trek van die 1 Jaar Uitgebreide waarborg sal u nodig hê om u waarborg aanlyn te registreer binne die eerste jaar van aankoop om 'n geldige eis te maak. Nou kan u die produk aanlyn registreer, laai u waarborg en hoef u nooit te bekommer dat u die kwitansie sal verloor nie en die voordeel van u 2-jaar waarborg geniet.

Bygevoegde Voordele

Bykomend tot die verskaffing van 'n aanlyn profiel van u geregistreerde produkte bied ons ook vele ander toegevoegde waarde voordele:

- aansporings en kompetisies vir geregistreerde gebruikers
- nuwe resepte of idees vir u produkte
- nuwe produk ontwikkelings - die eerste wees om die nuutste toestelle te kry
- spesiale aanbiedings op promosie-items

Hoe om u Aanlyn Waarborg te Registreer?

STAP 1 Skep u gebruikersprofiel:

As u dit nie reeds gedoen het nie, besoek www.mellerware.co.za, klik op die "Product Registration" skakel en volg die maklike instruksies. U sal 'n gebruikersnaam en wagwoord ontvang sodra u geregistreer het. Dit sal u toegang tot u profiel gee.



STAP 2 Kies 'n registrasie metode:



REKENAAR/ SKOOTREK- ENAAR

- Maak u internet snuffelgids oop en besoek www.mellerware.co.za
- Klik op die "Registrasie" skakel en teken in met u gebruikersnaam en wagwoord.
- Klik op "Register your products" en laai kwitansies en volg die maklike instruksies.
- Skandeer en laai u strokie



SMART- FOON / TABLET

- Skandeer die QR-kode bo of besoek www.mellerware.co.za
- Klik op die "Registration" skakel en teken aan met u verbruikersnaam en wagwoord.
- Klik op "Register your products" en laai u kwitansie en volg die maklike instruksies.
- Skandeer of neem 'n foto en laai u strokie.



FAKS

- Faks die volgende na 021 931 4058
- Naam en Van
- Kontak telefoon en faksnommer.
- Produk model nommer en tipe.
- Traceability Code (wat op die Waarborgkaart of op 'n etiket op die produk gevind kan word)
- 'n Duidelike en leesbare afskrif van u ontvangs.

Notas:

1. Die aanlyn waarborg stelsel is 'n veilige stoor fasiliteit vir u strokies.
2. U sal gevra word om op die Mellerware webtuiste te registreer. U sal 'n gebruikersnaam en wagwoord ontvang. Dit sal u toegang gee tot u profiel.
3. Van u profiel u sal in staat wees om produkte te laai wat u gekoop het. Om u waarborg suksesvol te registreer sal u nodig hê om of te skandeer en oplaai, of faks u strokie deur na ons.
4. Alle instruksies oor hoe om u produkte te laai is beskikbaar binne in u profiel.
5. Let daarop dat u moet seker maak dat u kwitansie korrek op-

gelaai is. Creative Housewares kan nie verantwoordelik gehou word vir fakske of lêers nie ontvang nie.
6. Vir hulp met registrasie e-pos asseblief: marketing@creative-housewares.co.za.

NB: U 1 jaar verlengde waarborg is slegs geldig indien u produk aanlyn geregistreer is binne die eerste jaar na die aankoop van u Mellerware produk. Indien u produk nie aanlyn geregistreer word binne die eerste jaar nie sal dit die verlengde waarborg nietig maak.

creative housewares

National Service Centre: 086 111 5006
e-mail: help@creativehousewares.co.za
www.creativehousewares.co.za

Cape Town

20 Tekstiel Street, Parow, Cape Town, 7493,
South Africa • P.O. Box 6156 Parow East, 7501,
South Africa Tel: +27 21 931 8117
Fax: +27 21 931 4058

Durban

35 Adrian Road, Windermere,
Durban, South Africa, 4001
Tel: +27 31 303 3465
Fax: +27 31 303 8259

Johannesburg

Unit 25 & 26 San Croy Office park
Die Agora Road, Croydon, 1619
Tel: +27 11 392 5652
Fax: +27 11 392 1694



Durban
 35 Adrain Road, Windermere,
 Durban, South Africa, 4001
 Tell: +27 31 303 3465
 Fax: +27 31 303 8259

creative housewares

 20 Tekstiel Street, Parow, Cape Town, 7493, South Africa
 P.O. Box 6156 Parow East, 7501, South Africa
 +27 21 931 8117  +27 21 931 4058
 Service Centre Helpline: 086 111 5006
 www.creativehousewares.co.za

Johannesburg
 Unit 25 & 26 San Croy Office Park
 Die Agora Road, Croydon, 1619
 Tell: +27 11 392 5652
 Fax: +27 11 392 1694

